



**HIGH FREQUENCY  
BATTERY CHARGERS  
HAWKER LifeOn**



**COMPACT AND FLEXIBLE CHARGING**



# Simple and mobile

with high frequency battery  
chargers Hawker LifeOn™



The LifeOn™ range of battery chargers from EnerSys® is the perfect partner for use with small traction monobloc batteries. Equipped with multi-profiles, these chargers are suitable for all lead-acid technologies for conventional 8-12 hours charging times. In addition, these chargers are suitable for Hawker® XFC™ batteries and can be used for fast-charging (5 hours recharge from 60% depth of discharge) and for opportunity charging to keep your equipment operational throughout the shift. Recommended for use 'on-board' the machine or stand-alone, they are ideal for the following applications:

## ***Floor-Care - Small Pallet Trucks - Personnel Shuttle Vehicles - Leisure***

### **Advantages and main features**

- High frequency system with advanced technology.
- Microprocessor controlled charging process.
- Efficiency > 90%.
- Protection against polarity inversions, short circuits, over-voltages or faults.
- Thermal protection against overheating.
- Equipped with NC (normally closed) relay for safety interlock connections (available only for on-board installation).
- Maximum relative humidity: 90%.
- International Protection Rating IP30 with forced ventilation.
- Self-extinguishing case made of UL94-V0 ABS with double insulation.

### **Display**

- Illuminated display of the charging current, battery voltage, charging time Ahs returned to the battery and of the energy absorbed in kWh.
- Remote 3 LED (red, yellow, green) indicator of charge, discharge and error status (option).
- Alphanumeric signals of possible faults.

### **Operation**

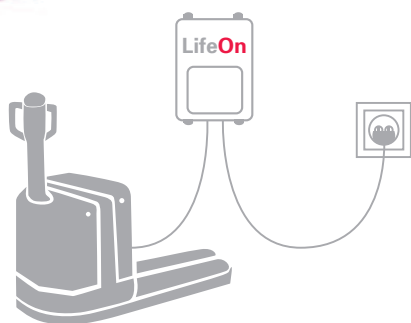
- Output ripple at maximum load lower than 100mV.
- Charge cycle begins with batteries as low as 2V.
- Operating temperature: -10°C to +45°C (14°F to 113°F).
- Ability to change the battery voltage and the charging current by means of dipswitches.
- Compensation for the voltage drop on the connecting cables to the battery.

### **Charging**

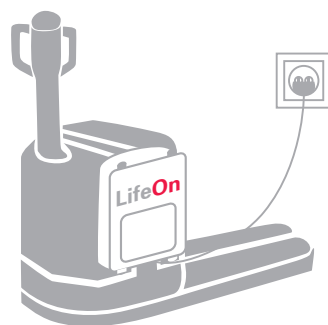
- Insensitive charge parameters of the  $\pm 15\%$  AC input line voltage variations.
- Ability to change the charging curve by means of dipswitches, choosing from 16 standard pre-programmed curves for flooded, gel, Hawker XFC and AGM batteries.
- Charging process starting in the "soft start" mode and automatic reset upon connection of a new battery.

### **Optional equipment:**

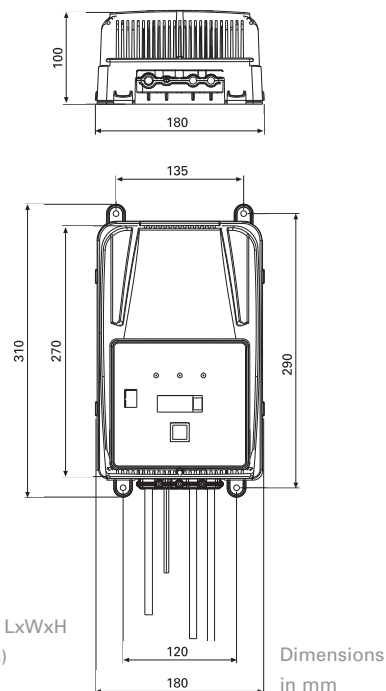
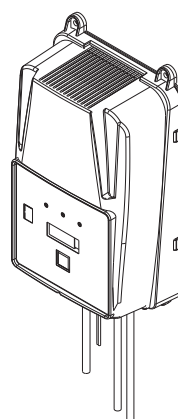
- 3-LED board (code: SKLED)
- 3-LED 18mm diameter round remote indicator (code: LBF318EZ)
- 3-LED 22x30mm squared remote indicator (code: LBF3QEZ)



① Stand alone




② On board



Dimensions:  
180 x 310 x 100 mm  
(7.08 x 12.02 x 3.93 in.) LxWxH  
Weight: 2.2 kg (4.85 lbs)  
Protection: IP30

Dimensions  
in mm

MODEL	BATTERY VOLTAGE	CHARGING CURRENT	BATTERY RANGE (5Hr Rate)		Hawker® XFC™ (5Hr Rate)
			8-9 hours charging time	10-12 hours charging time	up to 5 hours charging time
TC1 LO 12V 15A	12V	15A	80 - 110	100 - 150	25 - 48
TC1 LO 12V 20A	12V	20A	95 - 120	120 - 195	35 - 60
TC1 LO 12V 25A	12V	25A	120 - 160	180 - 258	48 - 60
TC1 LO 12V 30A	12V	30A	145 - 180	200 - 280	58 - 82
TC1 LO 24V 15A	24V	15A	80 - 110	100 - 150	25 - 48
TC1 LO 24V 20A	24V	20A	95 - 120	120 - 195	35 - 60
TC1 LO 24V 25A	24V	25A	120 - 160	180 - 258	48 - 60
TC1 LO 24V 30A	24V	30A	145 - 180	200 - 280	58 - 82
TC1 LO 36V 15A	36V	15A	80 - 110	100 - 150	25 - 48
TC1 LO 36V 20A	36V	20A	95 - 120	120 - 195	35 - 60
TC1 LO 36V 25A	36V	25A	120 - 160	180 - 258	48 - 60
TC1 LO 48V 15A	48V	15A	80 - 110	100 - 150	25 - 48
TC1 LO 48V 20A	48V	20A	95 - 120	120 - 195	35 - 60
TC1 LO 12V 35A	12V	35A	180 - 220	250 - 320	58 - 82
TC1 LO 12V 40A	12V	40A	220 - 260	295 - 360	82
TC1 LO 24V 35A	24V	35A	180 - 220	250 - 320	58 - 82
TC1 LO 24V 40A	24V	40A	220 - 260	295 - 360	82
TC1 LO 36V 30A	36V	30A	145 - 180	200 - 280	58 - 82



Wherever you do business, EnerSys® can support you with motive power energy. The Hawker® branded battery range, matched chargers and systems provide trouble free performance under the most demanding service conditions. Our strategically located manufacturing plants are efficient and responsive with a culture of continuous improvement and added value for our business partners.

EnerSys has an enviable position in technology leadership and with significant investment in research and development we intend to stay at the leading edge in product innovation. The recently developed energy solutions: Hawker XFC-Li™ (Lithium-Ion technology), Hawker XFC™ (Advanced Lead technology), Life IQ™ and LifeSpeed IQ™ (HF chargers) have defined new benefits for our customers: faster recharge, more machine availability, lower operating and investment costs, reduced carbon footprint. Our team of development engineers is driven by the desire to build the best energy solutions and works closely with our customers and suppliers to identify development opportunities. Our bias for rapid innovation means we get new products to market fast.

EnerSys's integrated sales and service network is dedicated to providing our customers with the best solutions and after-sales support for their business. Whether you require 1 battery or a complete fleet of batteries, chargers, a battery handling system and a state of the art fleet management system, you can count on us. EnerSys is the world's largest industrial battery manufacturer and we are dedicated to being the best.



**European Headquarters:**

**EnerSys EMEA**  
EH Europe GmbH  
Löwenstrasse 32  
8001 Zürich  
Switzerland  
Phone: +41 44 215 74 10  
Fax: +41 44 215 74 11

**Local contact:**

**EnerSys Ltd**  
Oak Court  
Clifton Business Park  
Wynne Avenue  
Swinton  
Manchester M27 8FF  
Phone: 0161 794 4611  
Fax: 0161 727 3809

Please refer to the website address for details of your nearest EnerSys office:  
[www.enersys-emea.com](http://www.enersys-emea.com)

© 2013 EnerSys. All rights reserved. All trademarks and logos are the property of or licensed to EnerSys and its affiliates unless otherwise noted.